

SPECIFICATIONS



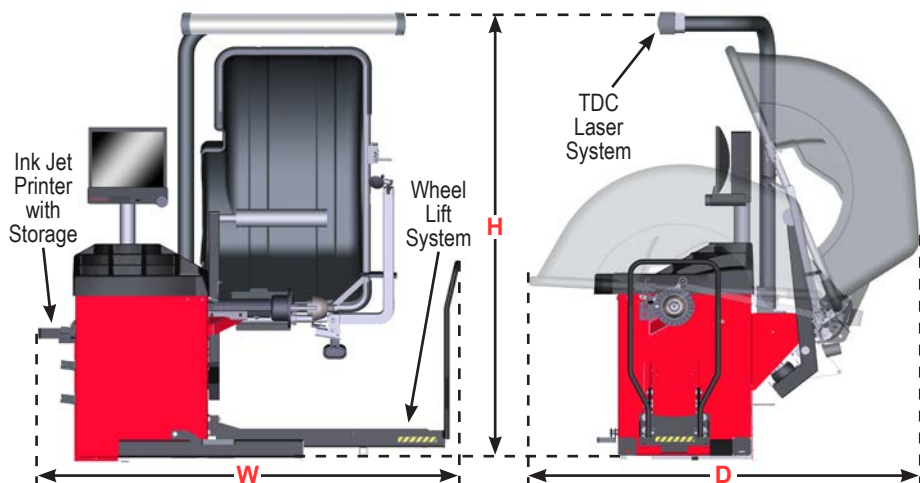
FM03
Shown

Power Requirements	196-253V, 10 amp, 50/60 Hz, 1 ph (Power cable includes: NEMA 20 amp plug, L6-20P)
Air Supply Requirements	100-175 psi (7-12 bar)
Capacity	
Rim Width	1.5 in to 19.5 in (38 mm to 495 mm)
Rim Diameter	10 in to 30 in (254 mm to 762 mm)*
ALU	7.5 in to 38 in (191 mm to 965 mm)*
Auto Inside Dataset® Range	10 in to 30 in (254 mm to 762 mm)
Max. Tire Diameter	52 in (1321 mm)
Max. Tire Width	19.5 in (495 mm)
Max. Tire Weight	500 lbs (227 kg)
Min. Tire Diameter for Roller Application	26 in (660 mm)
Imbalance Resolution	± 0.05 oz (1.0 g)
Placement Accuracy	512 positions, ± 0.35°
Balancing Speed	100 rpm
Motor	Programmable drive system and DC motor

* Extreme wheel sizes may require manual data entry.

MODEL FEATURES / DIMENSIONS

	FM03	FM02	FM01	FM00
Wheel Lift System	✓	✓	✓	✓
TDC Laser System	✓	✓		
Ink Jet Print w/Storage	✓		✓	
Width (W)	77 in 1956 mm	69 in 1753 mm	77 in 1956 mm	69 in 1753 mm
Height (H)	89 in 2261 mm	89 in 2261 mm	81 in 2261 mm	81 in 2261 mm
Depth (D)	73 in 1854 mm	73 in 1854 mm	73 in 1854 mm	73 in 1854 mm
Weight	985 lb 447 kg	934 lb 424 kg	915 lb 415 kg	864 lb 392 kg



For balancer information visit:
www.hunter.com/balancer

For local contact visit:
www.hunter.com/company/findrep.cfm

For general inquiries visit:
www.hunter.com
or call
800-448-6848